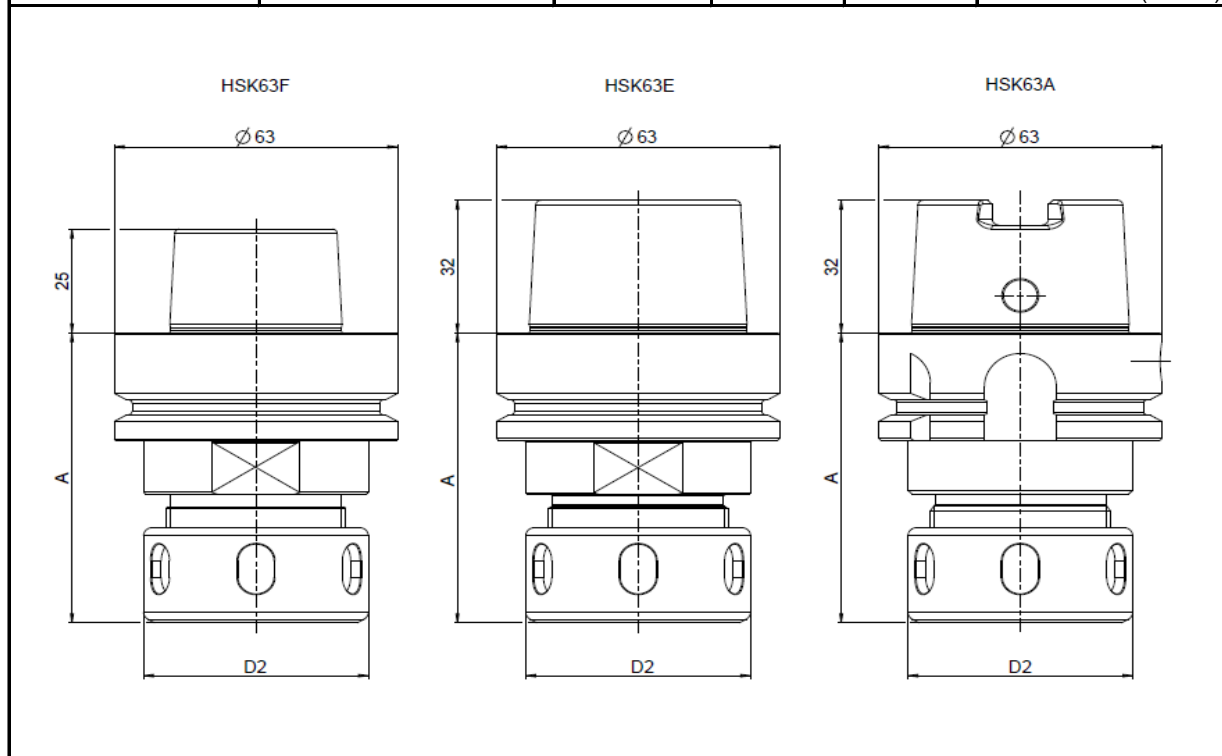


**Collet chucks HSK with ball bearing clamping nut or Mini nut**

item number	taper size	collet form	A [mm]	D2 [mm]	matching collets (clamping-Ø)
63A.132.075.060	HSK63A DIN69893-1	ER32	75	50	470E (Ø2-20)
63A.132.100.060	HSK63A DIN69893-1	ER32	100	50	470E (Ø2-20)
63A.132.160.060	HSK63A DIN69893-1	ER32	160	50	470E (Ø2-20)
63A.225.085.080	HSK63A DIN69893-1	OZ1825	85	60	462E (Ø2-25)
63E.125.070.060	HSK63E DIN69893-5	ER25	70	42	430E (Ø1-16)
63E.132.070.060	HSK63E DIN69893-5	ER32	70	50	470E (Ø2-20)
63E.140.076.060	HSK63E DIN69893-5	ER40	76	63	472E (Ø3-26)
63E.225.076.080	HSK63E DIN69893-5	OZ1825	76	60	462E (Ø2-25)
63F.116.100M.020	HSK63F DIN69893-6	ER16 Mini	100	22	426E (Ø1-10)
63F.116.130M.020	HSK63F DIN69893-6	ER16 Mini	130	22	426E (Ø1-10)
63F.116.160M.020	HSK63F DIN69893-6	ER16 Mini	160	22	426E (Ø1-10)
63F.116.065.060	HSK63F DIN69893-6	ER16	65	32	426E (Ø1-10)
63F.116.120.060	HSK63F DIN69893-6	ER16	120	32	426E (Ø1-10)
63F.125.070.060	HSK63F DIN69893-6	ER25	70	42	430E (Ø1-16)
63F.132.070.060	HSK63F DIN69893-6	ER32	70	50	470E (Ø2-20)
63F.140.076.060	HSK63F DIN69893-6	ER40	76	63	472E (Ø3-26)
63F.225.076.080	HSK63F DIN69893-6	OZ1825	76	60	462E (Ø2-25)
63F.225.115.080	HSK63F DIN69893-6	OZ1825	115	60	462E (Ø2-25)



Collets are not included